

VT-6133

V-TAC®

Bluetooth



WEEE Number: 80133970

BLUETOOTH SPEAKER WITH TOUCH BUTTON



Multi-language Manual QR CODE

INTRODUCTION

Thank you for selecting and buying V-TAC Product. V-TAC will serve you the best. Please read these instructions carefully & keep this user manual handy for future reference. If you have any another query, please contact our dealer or local vendor from whom you have purchased the product. They are trained and ready to serve you at the best.

VT-6133

V-TAC®

Bluetooth

Getting Started

- Remove the speaker from the box.
- Please retain all packaging until after you have checked and counted all the parts and the contents against the Package Contents list.

Specifications

- Bluetooth® Version: 5.0
- Wireless Streaming Range Distance: 10 meter
- Speaker output: 5W
- Unit Size: 120x60x230 mm
- Power Input: DC 5V
- Built-In Rechargeable Battery: 3.7V / 1200mAh

Features

- Soft Touch Buttons for Smooth Operation with Blue light.
- Supports TWS function for better sound effect.
- Compatible with wireless products featuring Bluetooth® technology
- AUX Input Function
- Supports TF Card
- Built-in Mic for Hands Free Calls
- With FM Radio Function
- Micro USB charging cable included
- Operation distance: Up to 10 meters

Safety Instructions

- Read these instructions carefully.
- Do not use this apparatus near water.
- Clean only with dry cloth.
- Do not block any ventilation openings.
- Do not use near any heat sources such as radiators, heat registers, stoves, or other apparatus (including amplifiers) that produce
- Protect the power cord from being walked on or pinched particularly at plugs.
- Only use attachments/accessories specified by the manufacturer.
- Unplug this apparatus during lightning storms or when unused for long periods of time.

Package Contents

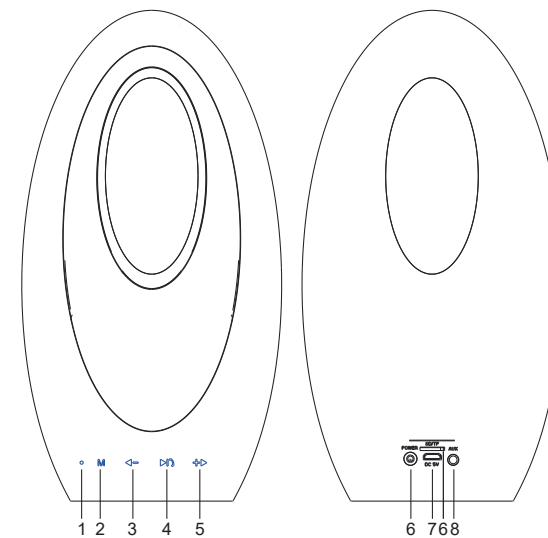
- Bluetooth Speaker (1pc)
- USB Cable (1pc)
- Auxiliary cable (1pc)
- Instruction Manual (1pc)

VT-6133

V-TAC®

Bluetooth

Description of Parts



1	LED indicator
2	Mode/TWS button
3	Skip Backward /Volume Decrease - Button
4	ON/OFF/ Play/Pause/Phone Button
5	Skip Forward /Volume Increase + Button
6	ON/OFF button
7	Micro SD (TF) Card Slot
8	Charging Port
9	Auxiliary port

VT-6133

V-TAC®

Bluetooth

Charging the speaker

The speaker has built-in rechargeable battery. When the battery is drained out, speaker would turn OFF automatically. Please recharge the battery every time it drains out.

Plug the Micro USB end of the included USB charging cable into the charging port. Plug the other end into a USB port on your computer or other devices made for USB charging. Red LED Light illuminates indicating that the device is being charged.

It takes 3 - 4 hours to fully charge the speaker. Once the speaker is fully charged, LED Light would turn OFF.

It is recommended to fully charge the speaker before its first use.

Turning ON/OFF the Speaker -

Before Turning ON the speaker, please ensure that it is fully charged. Press ON/OFF button to turn the device ON/OFF.

TWS function

It is possible to use two copies of this speaker, paired together, to benefit from a stereo sound.

To do this, turn on both speakers, then press the **M** button on one of them once. The two speaker will connect to each other.

You can then pair your device with the stereo unit by following the procedure below. Ensure that both speakers are spaced less than 10 meters.

Connect using Bluetooth Technology

- Turn on ON/OFF button. You would hear an indication tone, indicating that you are now in Bluetooth Pairing Mode.
- Activate the Bluetooth function on your source device (Mobile Phone or Tablet). Please refer to manufacturer's instructions for instructions on enabling Bluetooth on your device.

VT-6133

V-TAC®

Bluetooth

- Search for available Bluetooth devices and you would find "SKU-7725" – Pair it with this device.
- If required, enter the password "0000" to pair with the device.
- Once paired successfully, you will hear another indication tone.
- You can now stream wireless music on your speaker through your source device.

(Note: Battery life & charging time may vary based on usage, types of devices connected & wireless distance.)

Talking using the Bluetooth Speaker

Please ensure that your cell phone is paired with the Bluetooth Speaker to use the below functions.

Function	Operation	Button
Answer Incoming Call	Incoming Call	Press the Phone button once to answer an incoming call.
End Call	Incoming Call	After your phone conversation, short press the Phone button
Volume Increase	During a call	Long press on the + button will increase the volume
Volume Decrease	During a call	Long press on the - button will decrease the volume
Redial last number	Standby mode and connected to a device	Short press the Phone button twice

Listening to Music Wirelessly

Please ensure that your device (iPhone, Tablet or Other Smart Phone) is paired with the Bluetooth Speaker to stream music wirelessly. Once it is paired, play music from your device.

VT-6133

V-TAC®

Bluetooth

Function	Operation	Button
Increase Volume	Playing music	Press and hold the + button to increase the volume
Decrease Volume	Playing music	Press and hold the - button to decrease the volume
Pause	Playing music	Short press the Play/Pause button will pause the music
Play	Pausing	Short press the Play/Pause button will resume the music
Previous track	Playing music	Short press the Skip Backward button will return you to the previous track
Next track	Playing music	Short press the Skip Forward button will take you to the next track

(Note: The above functions only can be used in Bluetooth mode only. An indication tone will alert you when the volume is adjusted to maximum level. In Aux mode, besides the volume increase/decrease, you will need to control through your source device.)

Stream music from Micro SD (TF) Card

- Turn ON the speaker.
- Insert the Micro SD (TF) Card into the Micro SD (TF) Card Slot of the speaker respectively and Blue LED indicator would flash.
- Speaker would automatically start playing songs from the Micro SD (TF) Card.
- To Skip Track Forward – Short press the **+** button.
- To Skip Track Backwards – Short press the **-** button.
- To Pause the Track – Short press the Play/Pause button.
- To Play the Track – Short press the Play/Pause button.
- Long press + to increase the volume or - to decrease the volume.

Note: Micro SD Card not included

VT-6133

V-TAC®

Bluetooth

Listening to FM radio

- Turn ON the speaker.
- Insert the Auxiliary cable into the Auxiliary port, and leave the other end of the cable open. Auxiliary cable serves as FM Antenna while in FM Radio mode.
- Press the Mode button shift to FM radio mode and Blue LED indicator would flash.
- To AUTO-SCAN the stations, press Play/Pause button once.
- It will take few minutes to search all the stations. Once all the stations are scanned, they get registered in memory, automatically.
- Press **←** or **→** to skip selected stations.
- Long press + to increase the volume or - to decrease the volume.

Play music through "Auxiliary" mode

- Turn ON the speaker.
 - Insert one end of the Auxiliary cable (included) into the Auxiliary port, and the other end to the audio device (such as phone / MP3 Player / computer / tablet /etc.).
 - Select your favourite song at the source device to play.
 - Long press Volume Increase button to increase the volume or Volume Decrease button to decrease the volume.
- Note: Play, Pause, Skip Forward, Skip Backward etc can only be controlled through the source devices, while playing music in Auxiliary mode.

LED Lights

- Turn ON the speaker.
- The blue LED light will be stay on .
- Turn off the speaker and the Blue LED light will be gone out.

Tips!!

When the speaker is not in use, turn it OFF in order to save the battery power.

IN CASE OF ANY QUERY/ISSUE WITH THE PRODUCT, PLEASE REACH OUT TO US AT: SUPPORT@V-TAC.EU

FOR MORE PRODUCTS RANGE, INQUIRY PLEASE CONTACT OUR DISTRIBUTOR OR NEAREST DEALERS. V-TAC EUROPE LTD. BULGARIA, PLOVDIV 4000, BUL.L.KARAVELOW 9B