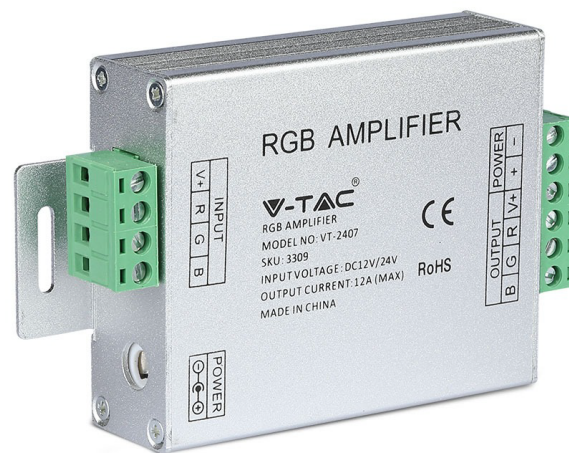


INSTALLATION INSTRUCTION

RGB AMPLIFIER

TECHNICAL DATA:

Model	VT-2407
Output	3 Channels
Supply Voltage	DC: 12V~24V
Static Power Consumption	<1W
Output Current	4A / Channels
Output Power	12V-144W; 24V-288W




INTRODUCTION & WARRANTY


Thank you for selecting and buying V-TAC product. V-TAC will serve you the best. Please read these instructions carefully before starting the installation and keep this manual handy for future reference. If you have any another query, please contact our dealer or local vendor from whom you have purchased the product. They are trained and ready to serve you at the best. The warranty is valid for 2 years from the date of purchase. The warranty does not apply to damage caused by incorrect installation or abnormal wear and tear. The company gives no warranty against damage to any surface due to incorrect removal and installation of the product. The products are suitable for 10-12 Hours Daily operation. Usage of product for 24 Hours a day would void the warranty. This product is warranted for manufacturing defects only.

WARNING

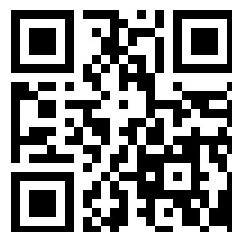
1. Please make sure to turn off the power before starting the installation.
2. Installation must be performed by a certified person.



This marking indicates that this product should not be disposed of with other household wastes.



Caution, risk of electric shock.



MULTI-LANGUAGE MANUAL QR CODE

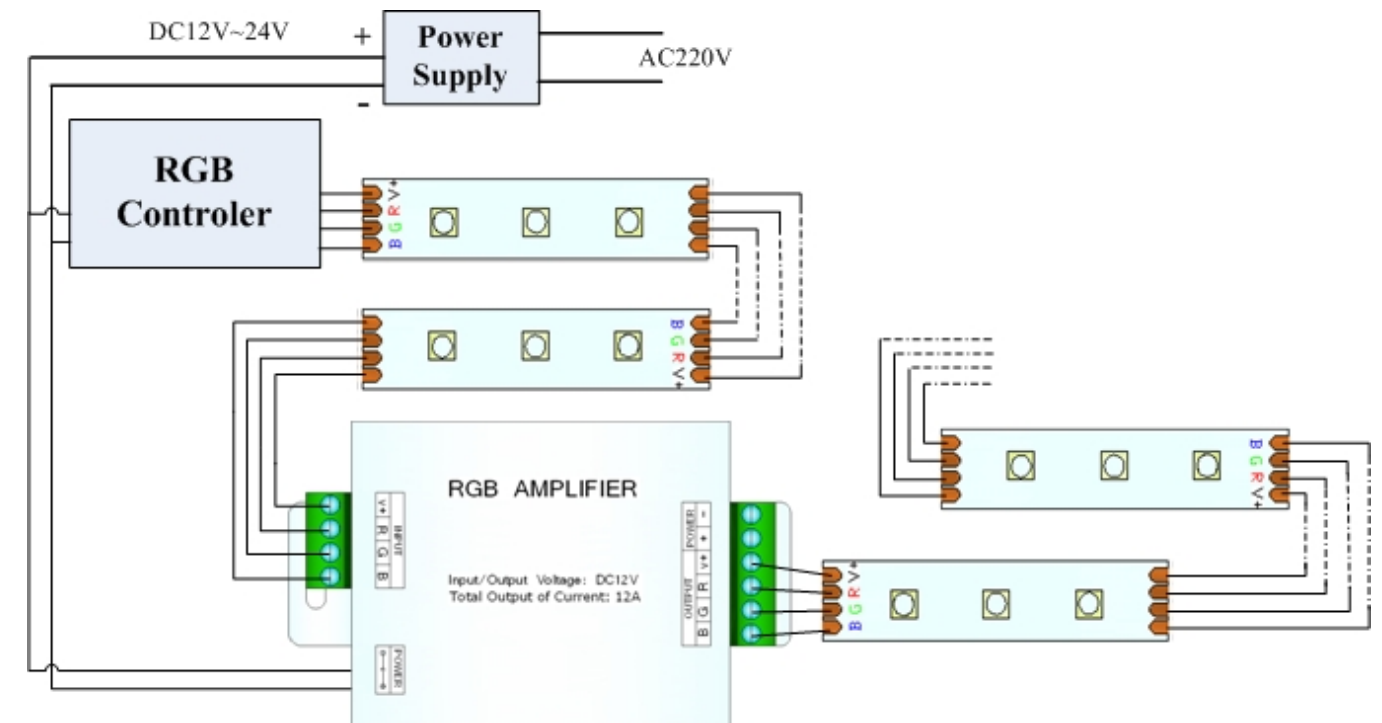
Please scan the QR code to access the manual in multiple languages.

PRODUCT DESCRIPTION

The RGB amplifier is used to receive RGBW signals from the controller and send the signal to another group of LED source.

DIRECTION OF USE

- Connect the input and output wire in sequence according to the specification on the label of the amplifier.
- Make sure that no short circuit phenomenon, then connect the amplifier to the DC12V/24V power supply and use with the led light , the wiring diagram are as follows:



CAUTION

- This products Input voltage is DC: 12-24V. Other input voltages are not allowed.
- Lead wire should be connected correctly and according to the wire color and the connecting diagram offers.
- Overloads are prohibited.

IN CASE OF ANY QUERY/ISSUE WITH THE PRODUCT, PLEASE REACH OUT TO US AT: SUPPORT@V-TAC.EU FOR MORE PRODUCTS RANGE, INQUIRY PLEASE CONTACT OUR DISTRIBUTOR OR NEAREST DEALERS. V-TAC EUROPE LTD. BULGARIA, PLOVDIV 4000, BUL.L.KARAVELOW 9B